

Information

ORDERING

Telephone: 219.872.8383, Fax: 219.872.6035,
Mail: 1206 Pine Street P.O. Box 275
Michigan City, IN 46360

PRICING

All prices are your cost. Combine different sizes and patterns for quantity price. Quantity prices are based on a single shipment to one location. Due to fluctuating market conditions, prices are subject to change without prior notice; however, it is our intention to be fair and competitive at all times.

DISCOUNTS

On quantities of 25,000 and over. Call for quotation.

MINIMUM SHIPMENT

\$300.00 in units of master cartons.

PACKING

Cotton filled boxes are packed 100 to a corrugated carton and then placed inside a master carton. Check the individual listing on each page for master quantities. All weights, sizes and packaging are approximate.

DELIVERY

In stock boxes are normally shipped within 48 hours.

F.O.B.

Michigan City, Indiana

CREDIT TERMS

Net 30 days. New customers-Open account is normally extended to businesses with 1st or 2nd rating by D&B. If not so rated, you are welcome to submit at least five trade references. It can take four weeks or more to obtain a response to our credit inquiries. Otherwise, to speed your first order, we would accept a cashier's check or personal check. We will wait two weeks for a personal check to clear before shipping. There is a \$15 service charge for any returned checks.


RETURN/CANCELLATION POLICY

A 15% restocking charge (\$25.00 minimum) will be deducted from credit for return of merchandise ordered in error. Charges will be billed for any work performed on custom orders that are subsequently cancelled.

LOSS OR DAMAGE

All merchandise should be inspected carefully upon delivery. We are not responsible for loss or damage sustained in transit. Claims should be made promptly against the carrier. External visible damage must be noted on carrier's waybill at the time of delivery.

RECYCLING

We take pride in meeting the needs of our customers by providing attractive, quality packaging with awareness on conserving our natural resources. A large percentage of our boxes are produced from recycled material and are recyclable. 

VARIATIONS

There may be a slight variation of paper, embossing patterns, or ink colors from order to order and from size to size.

CUSTOM ORDERS

Subject to overruns or underruns of 10%.

UPS SHIPMENTS

There is a 25 cent handling charge per carton.

PALLETS

If requested, add \$2.00 per 1,000 stock boxes.

FURNISHED PAPER

Samples must be submitted for approval. We will not be responsible for credits or returns for any reason when using furnished paper.

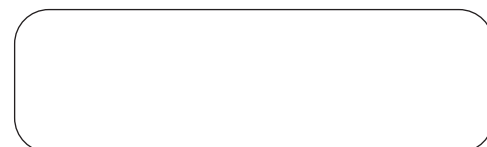



1206 PINE STREET
P.O. BOX 275
MICHIGAN CITY,
INDIANA 46360

219.872.8383

219.872.6035

BULK RATE
U.S. POSTAGE
PAID
MICH. CITY, IN
Permit No. 12




1206 PINE STREET
P.O. BOX 275
MICHIGAN CITY,
INDIANA 46360

219.872.8383

219.872.6035

Over 90 Years

Family owned and operated for three generations. Manufacturers of set up jewelry, mailing and custom packaging since 1904.

1999 Price List

Table of Contents

Cotton Filled Jewelry Boxes

PaperKraft	1
White Swirl	1
See Thru White Swirl	2
Solid Gold	2
Silver Foil, Gold Foil	3
Hologram	3
#72 Value Assortment	4

Ring Boxes	4
------------	---

Mailing Boxes	5
---------------	---

Printing and Hot Stamping	5
---------------------------	---

Information	6
-------------	---

BoxFinder™

Try These Boxes...

For This Item	#3	#4	#6	#8	#10	#14	#18	#21	#31	#42	#75	#80	#210	#317
Baseball Cards				•										
Belt Buckles			•	•		•	•		•					
Billfolds						•								
Bracelets							•	•		•				
Cassette Tapes					•									
Charms	•	•												
Coasters							•	•						
Coins	•													
Compact Disks										•	•			
Earrings	•	•	•	•										
Greeting Cards											•	•		
Key Chains			•	•			•			•				
Letter Openers										•			•	
Magnets		•	•	•			•							
Necklaces						•	•		•	•			•	
Paperweights					•			•						
Pens										•				
Picture Frames									•		•	•		
Pins		•	•	•										
Pocket Knives				•										
Recipe Cards						•				•				
Rings														•
Scarves												•		
Silverware										•			•	
Soaps								•			•			
Stationery						•			•		•	•		
Sun Glasses						•					•	•		
Watches										•			•	

Mailing Boxes

Sturdy, two piece rigid set-up boxes tight wrapped with strong recycled Kraft. Ideal for Parcel Post and United Parcel.

Combine different sizes for quantity prices. Mailing boxes cannot be combined with jewelry boxes for price breaks.



SE-5, M-53
And M-71 Made with
gummed flaps

Printing and Hot Stamping

Michigan City Paper Box Co.
Manufacturers

Minimum shipment \$300.00
F.O.B. Michigan City, Indiana



SIZE	PRICE PER 100 BOXES		PRICE PER 1,000 BOXES		WEIGHT PER 1,000 BOXES
	100	500	1,000	5,000	
MC-102 4-1/8 x 2-3/4 x 1-1/2	\$34.00	\$31.00	\$278.00	\$252.00	95 lbs.
BL-2 4-5/8 x 3-1/8 x 1-3/4	31.00	28.00	253.00	230.00	120 lbs.
SE-5 5 x 3-1/2 x 1-1/4 Gummed Flaps	37.00	33.00	299.00	272.00	125 lbs.
M-53 5 x 3-1/2 x 1-7/8 Gummed Flaps	41.00	37.00	333.00	303.00	165 lbs.
4-B 5-1/2 x 4 x 2	42.00	38.00	344.00	312.00	185 lbs.
5-B 5-3/4 x 4 x 2-1/2	37.00	34.00	304.00	276.00	220 lbs.
8-N 6 x 4-1/2 x 2	37.00	34.00	300.00	273.00	210 lbs.
6-B 7 x 4 x 2-1/2	44.00	40.00	357.00	324.00	245 lbs.
M-71 7-1/2 x 5 x 2-3/4 Gummed Flaps	62.00	57.00	509.00	462.00	335 lbs.
8-B 8 x 3-1/2 x 1-1/8	33.00	30.00	267.00	243.00	150 lbs.
L-260 8-3/16 x 6-1/8 x 2-3/4	52.00	47.00	420.00	382.00	395 lbs.
29-B 10 x 4 x 2	43.00	39.00	352.00	320.00	275 lbs.
30-N 12 x 5-1/4 x 3	66.00	60.00	535.00	486.00	480 lbs.

MINIMUM ORDER 1,000 OF A SIZE	ONE COLOR PRINTING PER 1,000	HOT STAMPING GOLD/SILVER/BLACK PER 1,000
Minimum charge	\$69.00	\$69.00
Under 5,000	69.00	69.00
5,000-9,999	34.00	39.00
10,000-24,999	29.00	34.00
25,000-49,999	24.00	31.00
50,000-99,999	21.00	29.00
100,000-199,999	18.00	27.00
200,000-299,999	16.00	25.00
300,000	13.00	24.00

Artwork must be supplied and is subject to our approval. Simple logos require camera ready artwork. Complex printing/stamping will require a furnished sample of work to be done as well as necessary film. Printing and Hot Stamping prices do not include cost of cut or any necessary artwork. There is an additional charge for hot stamping area larger than 2" x 4". Imprinted orders subject to overruns or underruns of 10%. Cancellation charges will be billed for any work performed on printed/stamped orders that are subsequently cancelled. We are not responsible for errors in customer furnished/approved artwork.

COTTON FILLED JEWELRY BOXES

SeeThru White Swirl

See-thru transparent lid with cotton filled base papered in white swirl.



SIZE	PRICE PER 1,000 BOXES			MASTER CARTON	WEIGHT PER CTN.
	1,000	5,000	10,000		
#4 2-7/16 x 1-5/8 x 13/16	\$137.00	\$119.00	\$108.00	500	11 lbs.
#6 3 x 2-1/8 x 1	172.00	150.00	136.00	500	17 lbs.
#14 5-7/16 x 3-1/2 x 1	263.00	229.00	208.00	500	24 lbs.
#18 3-1/2 x 3-1/2 x 7/8	204.00	177.00	161.00	500	24 lbs.
#21 3-1/2 x 3-1/2 x 1-7/8	248.00	216.00	196.00	300	22 lbs.
#42 8-1/8 x 1-3/4 x 3/4	228.00	198.00	180.00	500	29 lbs.
#80 7 x 5 x 1-1/4	353.00	307.00	279.00	100	11 lbs.

Solid Gold

Metallic Gold lid and base.



SIZE	PRICE PER 1,000 BOXES			MASTER CARTON	WEIGHT PER CTN.
	1,000	5,000	10,000		
#3 2 x 1-1/2 x 5/8	\$148.00	\$128.00	\$117.00	1,000	20 lbs.
#4 2-7/16 x 1-5/8 x 13/16	148.00	128.00	117.00	500	14 lbs.
#6 3 x 2-1/8 x 1	165.00	143.00	130.00	500	22 lbs.
#14 5-7/16 x 3-1/2 x 1	224.00	194.00	177.00	300	30 lbs.
#18 3-1/2 x 3-1/2 x 7/8	189.00	164.00	149.00	500	30 lbs.
#42 8-1/8 x 1-3/4 x 3/4	210.00	183.00	166.00	500	40 lbs.
#75 7 x 5 x 7/8	323.00	280.00	255.00	300	45 lbs.

Order in quantities of master carton.
Boxes packed 100 to corrugated and then placed in master carton.
Combine different sizes and patterns for quantity prices.

COTTON FILLED JEWELRY BOXES

Silver Foil

Silver embossed foil lid and base.



Gold Foil

Gold embossed foil lid and base.



Hologram

Silver Hologram base and lid.



Michigan City Paper Box Co. Manufacturers

Minimum shipment \$300.00
F.O.B. Michigan City, Indiana



SIZE	PRICE PER 1,000 BOXES			MASTER CARTON	WEIGHT PER CTN.
	1,000	5,000	10,000		
#3 2 x 1-1/2 x 5/8	\$157.00	\$136.00	\$124.00	1,000	20 lbs.
#4 2-7/16 x 1-5/8 x 13/16	157.00	136.00	124.00	500	14 lbs.
#6 3 x 2-1/8 x 1	177.00	154.00	140.00	500	22 lbs.
#8 3-5/8 x 2-5/8 x 1-1/4	207.00	180.00	164.00	500	29 lbs.
#14 5-7/16 x 3-1/2 x 1	248.00	216.00	196.00	300	30 lbs.
#18 3-1/2 x 3-1/2 x 7/8	207.00	180.00	164.00	500	30 lbs.
#21 3-1/2 x 3-1/2 x 1-7/8	262.00	227.00	207.00	300	25 lbs.
#42 8-1/8 x 1-3/4 x 3/4	233.00	202.00	184.00	500	40 lbs.
#75 7 x 5 x 7/8	359.00	312.00	284.00	300	45 lbs.
#80 7 x 5 x 1-1/4	368.00	320.00	291.00	100	15 lbs.

SIZE	PRICE PER 1,000 BOXES			MASTER CARTON	WEIGHT PER CTN.
	1,000	5,000	10,000		
#3 2 x 1-1/2 x 5/8	\$171.00	\$148.00	\$135.00	1,000	20 lbs.
#4 2-7/16 x 1-5/8 x 13/16	171.00	148.00	135.00	500	14 lbs.
#6 3 x 2-1/8 x 1	195.00	169.00	154.00	500	22 lbs.
#14 5-7/16 x 3-1/2 x 1	282.00	245.00	222.00	300	30 lbs.
#18 3-1/2 x 3-1/2 x 7/8	231.00	201.00	183.00	500	30 lbs.
#42 8-1/8 x 1-3/4 x 3/4	263.00	229.00	208.00	500	40 lbs.
#75 7 x 5 x 7/8	409.00	355.00	323.00	300	45 lbs.

Order in quantities of master carton.
Boxes packed 100 to corrugated and then placed in master carton.
Combine different sizes and patterns for quantity prices.

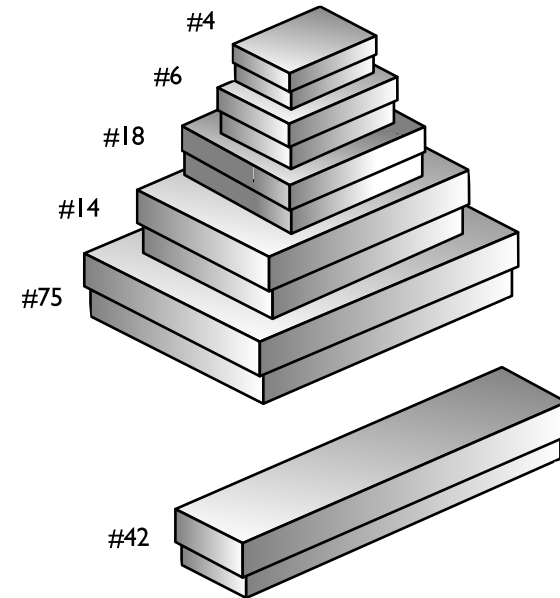
COTTON FILLED JEWELRY BOXES

#72 Value Assortment

This assortment solves the space problem of the user wanting an adequate range of sizes with a minimum inventory and investment.

Combine with other cotton-filled jewelry or ring boxes to obtain quantity prices. Packed in a small corrugated carton, 5 lbs. each.

QTY.	SIZE	COTTON FILLED, 72 BOXES, 6 SIZES
12	#4	2-7/16 x 1-5/8 x 13/16
18	#6	3 x 2-1/8 x 1
12	#14	5-7/16 x 3-1/2 x 1
12	#18	3-1/2 x 3-1/2 x 7/8
6	#42	8-1/8 x 1-3/4 x 3/4
12	#75	7 x 5 x 7/8



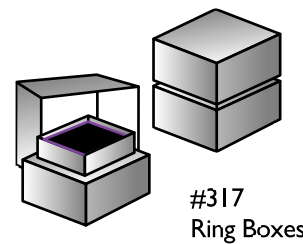
COLOR	2	3-11	12-24	25-99	100-299	300
White Swirl	\$29.00 ea.	\$21.00 ea.	\$15.20 ea.	\$14.40 ea.	\$13.70 ea.	\$12.40 ea.
Gold Foil	\$33.30 ea.	\$24.10 ea.	\$17.40 ea.	\$16.50 ea.	\$15.70 ea.	\$14.20 ea.

Ring Boxes

Combine with assortments or other cotton-filled jewelry boxes to obtain quantity prices. Packed 50 to a plain chip carton. Weight: 25 lbs. per 1,000.

1-1/4 x 1-1/8 x 15/16 Deluxe black foam insert.

COLOR	PRICE PER 100 BOXES		PRICE PER 1,000 BOXES	
	100	500	1,000	10,000
#317 Gold Foil	\$31.00	\$27.00	\$244.00	\$234.00



Michigan City Paper Box Co. Manufacturers

Minimum shipment \$300.00
F.O.B. Michigan City, Indiana

COTTON FILLED JEWELRY BOXES

PaperKraft™

Recycled Kraft lid and base. Environmentally friendly, made from 100% post consumer and industrial paper waste. Boxes are 100% recyclable.



White Swirl

White embossed lid and base.



Michigan City Paper Box Co. Manufacturers

Minimum shipment \$300.00
F.O.B. Michigan City, Indiana



SIZE	PRICE PER 1,000 BOXES			MASTER CARTON	WEIGHT PER CTN.
	1,000	5,000	10,000		
#4 2-7/16 x 1-5/8 x 13/16	\$139.00	\$121.00	\$110.00	500	14 lbs.
#6 3 x 2-1/8 x 1	151.00	131.00	119.00	500	22 lbs.
#14 5-7/16 x 3-1/2 x 1	200.00	173.00	158.00	300	30 lbs.
#18 3-1/2 x 3-1/2 x 7/8	171.00	148.00	135.00	500	30 lbs.
#42 8-1/8 x 1-3/4 x 3/4	189.00	164.00	149.00	500	40 lbs.
#80 7 x 5 x 1-1/4	292.00	254.00	231.00	100	15 lbs.

SIZE	PRICE PER 1,000 BOXES			MASTER CARTON	WEIGHT PER CTN.
	1,000	5,000	10,000		
#3 2 x 1-1/2 x 5/8	\$142.00	\$123.00	\$112.00	1,000	20 lbs.
#4 2-7/16 x 1-5/8 x 13/16	142.00	123.00	112.00	500	14 lbs.
#6 3 x 2-1/8 x 1	157.00	136.00	124.00	500	22 lbs.
#8 3-5/8 x 2-5/8 x 1-1/4	178.00	155.00	141.00	500	29 lbs.
#10 4-3/8 x 3-1/4 x 1-7/16	233.00	202.00	184.00	300	25 lbs.
#14 5-7/16 x 3-1/2 x 1	210.00	183.00	166.00	300	30 lbs.
#18 3-1/2 x 3-1/2 x 7/8	178.00	155.00	141.00	500	30 lbs.
#21 3-1/2 x 3-1/2 x 1-7/8	221.00	192.00	174.00	300	25 lbs.
#31 6 x 4 x 1	260.00	226.00	206.00	300	32 lbs.
#42 8-1/8 x 1-3/4 x 3/4	198.00	172.00	156.00	500	40 lbs.
#75 7 x 5 x 7/8	301.00	262.00	238.00	300	45 lbs.
#80 7 x 5 x 1-1/4	307.00	267.00	243.00	100	15 lbs.
#210 10 x 2 x 1	324.00	282.00	256.00	100	10 lbs.

Order in quantities of master carton. Boxes packed 100 to corrugated and then placed in master carton. Combine different sizes and patterns for quantity prices.